

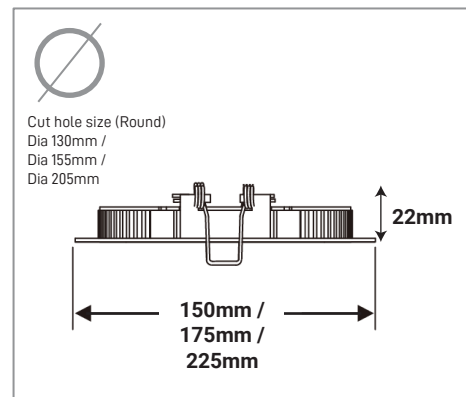
SPR SERIES

Application

LED Recessed Downlight is designed to use for homes, supermarkets, restaurants, commercial buildings & etc.

Specification

Input Voltage	200 ~ 240 V AC
Power Rating	10W/ 15W/ 24W
Frequency	50 Hz
Power Factor	> 0.9
THD	< 20%
CRI	Ra > 80
Beam Angle	120°
Max Operating Temperature	45°C
Lifetime	> 50,000 hours
Housing	Die Cast Aluminium Housing & Polycarbonate Cover
Mounting Method	Recessed Ceiling Mounted
IP Rating	IP20



Ordering Data

Part No.	Power (W)	Lumens (lm)	CCT
EVO-SPR10W-150-6000K	10	1000	6000K
EVO-SPR15W-175-6000K	15	1500	6000K
EVO-SPR24W-225-6000K	24	2400	6000K
EVO-SPR10W-150-4000K	10	950	4000K
EVO-SPR15W-175-4000K	15	1425	4000K
EVO-SPR24W-225-4000K	24	2280	4000K
EVO-SPR10W-150-3000K	10	900	3000K
EVO-SPR15W-175-3000K	15	1350	3000K
EVO-SPR24W-225-3000K	24	2160	3000K

* Product specification subject to change according to technology improvement.