

SR01 SERIES

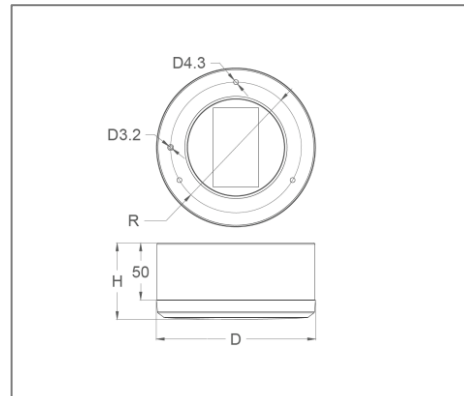
Application

Surface downlight is designed to use for office buildings, shopping centers, convenience stores, modern trade stores, discount stores, hotels, restaurants, residences, recreation centers, museums, etc.

Specification

|                              |  |
|------------------------------|--|
| <b>Input Voltage</b>         | 200-240 V AC   |
| <b>Power Factor</b>          | 0.9 Typical  |
| <b>System Efficiency</b>     | 89%  |
| <b>Operating Temperature</b> | 0 to 35 Degrees Celsius  |
| <b>Rendering Index</b>       | Min 80   |
| <b>Housing</b>               | Aluminium (Matt White)<br>Polycarbonate Body & Opal Diffuser<br>Electrostatically Polyester Powder Coated<br>Flex & Nylon Connecting Devices |
| <b>LED Operating Life</b>    | 30,000 Hrs   |
| <b>Dimmable</b>              | No   |

Ordering Data



| Part No.   | Power | Lumen  | CCT (K)                 | Beam Angle | Dimension (mm)             |
|------------|-------|--------|-------------------------|------------|----------------------------|
| EVO-SR-301 | 10W   | 1000lm | 3000K<br>4000K<br>6000K | 120°       | 115 (D) x 66 (H) x 100 (R) |
| EVO-SR-401 | 15W   | 1500lm |                         |            | 140 (D) x 67 (H) x 115 (R) |
| EVO-SR-601 | 20W   | 2000lm |                         |            | 170 (D) x 67 (H) x 150 (R) |
| EVO-SR-801 | 24W   | 2400lm |                         |            | 190 (D) x 68 (H) x 160 (R) |

\* Product specification subject to change according to technology improvement.