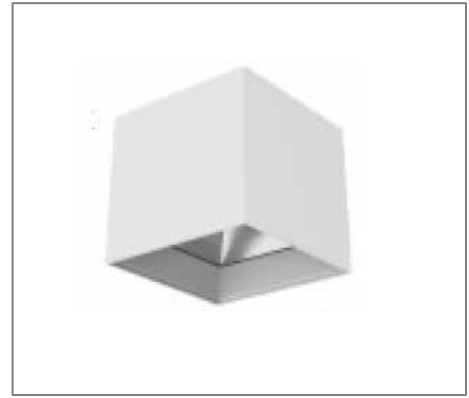


## HM08-M2 SERIES

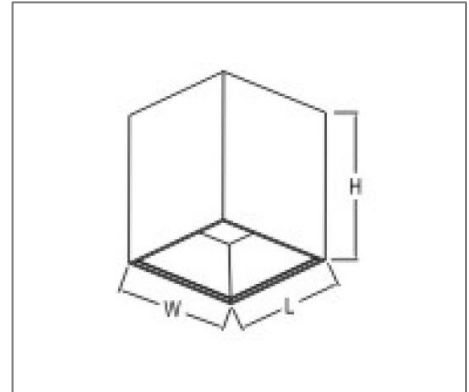
## Application

Downlight is designed to use for office buildings, shopping centers, convenience stores, modern trade stores, discount stores, hotels, restaurants, residences, recreation centers, museums, etc.



## Specification

<b>Input Voltage</b>	220-240 V AC /100-240 V AC
<b>Frequency</b>	50/60Hz
<b>Lumen</b>	85-105 lm/W
<b>CRI</b>	> 80/90
<b>Color Finish</b>	White / Black
<b>Dim Option</b>	Optional
<b>IP Rating</b>	IP 20



## Ordering Data

Part No.	Power	Beam Angle	Dimension (mm)	CCT
EVO-HM08-M2-R-20W-27	20W	38°	151 (L) X 151 (W) X 142(H)	2700K
EVO-HM08-M2-R-20W-30	20W	38°	151 (L) X 151 (W) X 142(H)	3000K
EVO-HM08-M2-R-20W-40	20W	38°	151 (L) X 151 (W) X 142(H)	4000K
EVO-HM08-M2-R-20W-50	20W	38°	151 (L) X 151 (W) X 142(H)	5000K
EVO-HM08-M2-R-30W-27	30W	38°	151 (L) X 151 (W) X 142(H)	2700K
EVO-HM08-M2-R-30W-30	30W	38°	151 (L) X 151 (W) X 142(H)	3000K
EVO-HM08-M2-R-30W-40	30W	38°	151 (L) X 151 (W) X 142(H)	4000K
EVO-HM08-M2-R-30W-50	30W	38°	151 (L) X 151 (W) X 142(H)	5000K