

HD08-V1-D SERIES

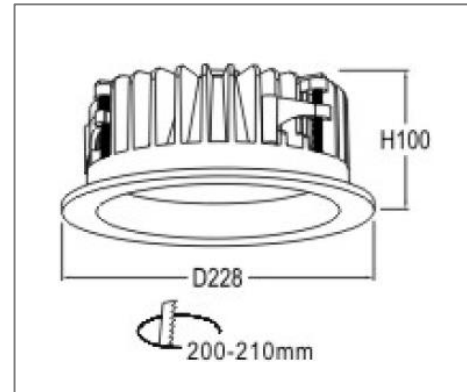
Application

Recessed downlight is designed to use for office buildings, shopping centers, convenience stores, modern trade stores, discount stores, hotels, restaurants, residences, recreation centers, museums, etc.

Specification

Input Voltage	200-240 V AC /100-240 V AC
Frequency	50/60Hz
Lumen	85-105 lm/W
CRI	> 80/90
Color Finish	White + Iron Grey
Dim Option	Optional
IP Rating	IP 20

Ordering Data



Part No.	Power	Beam Angle	CCT
EVO-HD08-V1-D-20W-27	20W	90°	2700K
EVO-HD08-V1-D-20W-30	20W	90°	3000K
EVO-HD08-V1-D-20W-40	20W	90°	4000K
EVO-HD08-V1-D-20W-50	20W	90°	5000K
EVO-HD08-V1-D-20W-60	20W	90°	6000K
EVO-HD08-V1-D-25W-27	25W	90°	2700K
EVO-HD08-V1-D-25W-30	25W	90°	3000K
EVO-HD08-V1-D-25W-40	25W	90°	4000K
EVO-HD08-V1-D-25W-50	25W	90°	5000K
EVO-HD08-V1-D-25W-60	25W	90°	6000K
EVO-HD08-V1-D-30W-27	30W	90°	2700K
EVO-HD08-V1-D-30W-30	30W	90°	3000K
EVO-HD08-V1-D-30W-40	30W	90°	4000K
EVO-HD08-V1-D-30W-50	30W	90°	5000K
EVO-HD08-V1-D-30W-60	30W	90°	6000K
EVO-HD08-V1-D-40W-27	40W	90°	2700K
EVO-HD08-V1-D-40W-30	40W	90°	3000K
EVO-HD08-V1-D-40W-40	40W	90°	4000K
EVO-HD08-V1-D-40W-50	40W	90°	5000K
EVO-HD08-V1-D-40W-60	40W	90°	6000K

* Product specification subject to change according to technology improvement.