

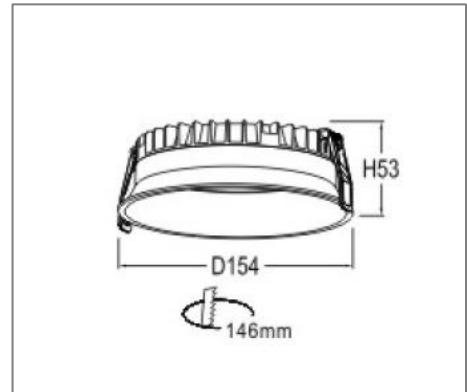
## HD05-P3-DR SERIES

### Application

Recessed downlight is designed to use for office buildings, shopping centers, convenience stores, modern trade stores, discount stores, hotels, restaurants, residences, recreation centers, museums, etc.

### Specification

|                      |                            |
|----------------------|----------------------------|
| <b>Input Voltage</b> | 200-240 V AC /100-240 V AC |
| <b>Frequency</b>     | 50/60Hz                    |
| <b>Lumen</b>         | 90-110 lm/W                |
| <b>CRI</b>           | > 80/90                    |
| <b>Color Finish</b>  | White + Black              |
| <b>Dim Option</b>    | Optional                   |
| <b>IP Rating</b>     | IP 20                      |



### Ordering Data

| Part No.              | Power | Beam Angle | CCT   |
|-----------------------|-------|------------|-------|
| EVO-HD05-P3-DR-15W-27 | 15W   | 90°        | 2700K |
| EVO-HD05-P3-DR-15W-30 | 15W   | 90°        | 3000K |
| EVO-HD05-P3-DR-15W-40 | 15W   | 90°        | 4000K |
| EVO-HD05-P3-DR-15W-50 | 15W   | 90°        | 5000K |
| EVO-HD05-P3-DR-15W-60 | 15W   | 90°        | 6000K |
| EVO-HD05-P3-DR-20W-27 | 20W   | 90°        | 2700K |
| EVO-HD05-P3-DR-20W-30 | 20W   | 90°        | 3000K |
| EVO-HD05-P3-DR-20W-40 | 20W   | 90°        | 4000K |
| EVO-HD05-P3-DR-20W-50 | 20W   | 90°        | 5000K |
| EVO-HD05-P3-DR-20W-60 | 20W   | 90°        | 6000K |
| EVO-HD05-P3-DR-25W-27 | 25W   | 90°        | 2700K |
| EVO-HD05-P3-DR-25W-30 | 25W   | 90°        | 3000K |
| EVO-HD05-P3-DR-25W-40 | 25W   | 90°        | 4000K |
| EVO-HD05-P3-DR-25W-50 | 25W   | 90°        | 5000K |
| EVO-HD05-P3-DR-25W-60 | 25W   | 90°        | 6000K |

Remark: DR= Diffuser Round.