

6RDL3 SERIES

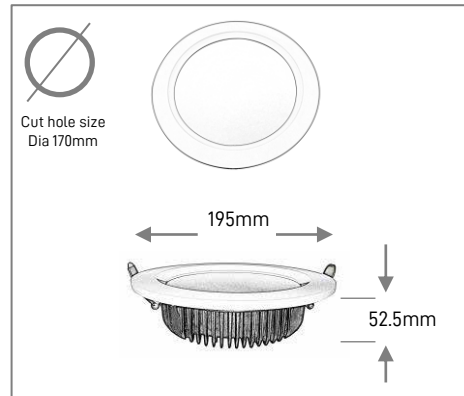
Application

Recessed downlight is designed to use for office buildings, shopping centers, convenience stores, modern trade stores, discount stores, hotels, restaurants, residences, recreation centers, museums, etc.

Specification

| | |
|------------------------------|---------------------------|
| Input Voltage | 200-240 V AC |
| Power Factor | 0.9 Typical |
| System Efficiency | 89% |
| Rendering Index | Min 80 |
| Operating Temperature | -20 to 50 Degrees Celsius |
| LED Operating Life | 50,000 Hrs |
| Dimmable | Optional |

Ordering Data



| Part No. | Power | Lumens | CCT (K) | Beam Angle | Shape |
|---------------------|-------|--------|---------|------------|-------|
| EVO-6RDL3-18W-3000K | 18W | 1620lm | 3000K | 120° | Round |
| EVO-6RDL3-18W-4000K | 18W | 1800lm | 4000K | 120° | Round |
| EVO-6RDL3-18W-6000K | 18W | 1800lm | 6000K | 120° | Round |

* Product specification subject to change according to technology improvement.