

## 4RDL3 SERIES

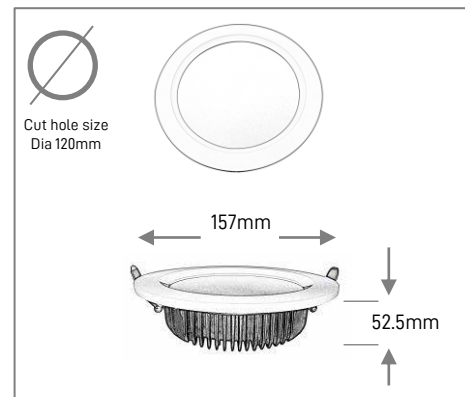
### Application

Recessed downlight is designed to use for office buildings, shopping centers, convenience stores, modern trade stores, discount stores, hotels, restaurants, residences, recreation centers, museums, etc.

### Specification

<b>Input Voltage</b>	200-240 V AC
<b>Power Factor</b>	0.9 Typical
<b>System Efficiency</b>	89%
<b>Rendering Index</b>	Min 80
<b>Operating Temperature</b>	-20 to 50 Degrees Celsius
<b>LED Operating Life</b>	50,000 Hrs
<b>Dimmable</b>	Optional

### Ordering Data



Part No.	Power	Lumens	CCT (K)	Beam Angle	Shape
EVO-4RDL3-13W-3000K	13W	1170lm	3000K	120°	Round
EVO-4RDL3-13W-4000K	13W	1300lm	4000K	120°	Round
EVO-4RDL3-13W-6000K	13W	1300lm	6000K	120°	Round