

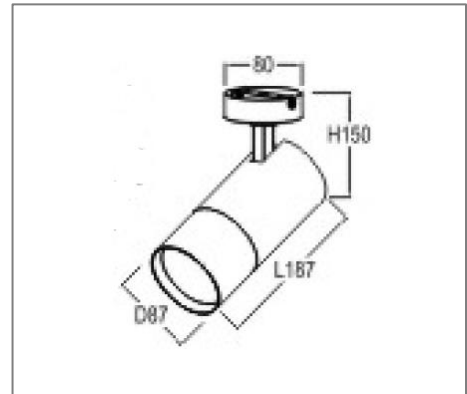
## HT87-C1-M3035 SERIES

## Application

Track light is designed to use for office buildings, shopping centers, convenience stores, modern trade stores, discount stores, hotels, restaurants, residences, recreation centers, museums, etc.

## Specification

<b>Input Voltage</b>	200-240 V AC /120-240 V AC
<b>Frequency</b>	50/60Hz
<b>Lumen</b>	90-100 lm/W
<b>CRI</b>	> 80/90/95
<b>Color Finish</b>	White / Black
<b>Dim Option</b>	Optional
<b>IP Rating</b>	IP 20
<b>Track</b>	2/3 Phase



## Ordering Data

Part No.	Power	Beam Angle	CCT
EVO-HT87-C1-M-30W-27	30W	15°/24°/36°	2700K
EVO-HT87-C1-M-30W-30	30W	15°/24°/36°	3000K
EVO-HT87-C1-M-30W-40	30W	15°/24°/36°	4000K
EVO-HT87-C1-M-30W-50	30W	15°/24°/36°	5000K
EVO-HT87-C1-M-35W-27	35W	15°/24°/36°	2700K
EVO-HT87-C1-M-35W-30	35W	15°/24°/36°	3000K
EVO-HT87-C1-M-35W-40	35W	15°/24°/36°	4000K
EVO-HT87-C1-M-35W-50	35W	15°/24°/36°	5000K

Remark: D= Driver & Adaptor 'Two in one' design