

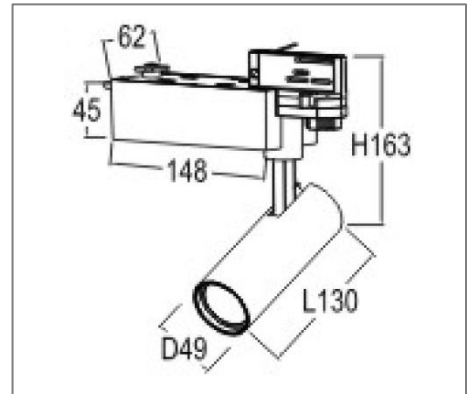
HT49-C8-B0710 SERIES

Application

Track light is designed to use for office buildings, shopping centers, convenience stores, modern trade stores, discount stores, hotels, restaurants, residences, recreation centers, museums, etc.

Specification

| | |
|----------------------|----------------------------|
| Input Voltage | 220-240 V AC /120-240 V AC |
| Frequency | 50/60Hz |
| Lumen | 90-100 lm/W |
| CRI | > 80/90 |
| Color Finish | White / Black |
| Dim Option | Optional |
| IP Rating | IP 20 |
| Track | 1/2/3 Phase |



Ordering Data

| Part No. | Power | Beam Angle | CCT |
|----------------------|-------|-------------|-------|
| EVO-HT49-C8-B-7W-27 | 7W | 15°/24°/36° | 2700K |
| EVO-HT49-C8-B-7W-30 | 7W | 15°/24°/36° | 3000K |
| EVO-HT49-C8-B-7W-40 | 7W | 15°/24°/36° | 4000K |
| EVO-HT49-C8-B-7W-50 | 7W | 15°/24°/36° | 5000K |
| EVO-HT49-C8-B-10W-27 | 10W | 15°/24°/36° | 2700K |
| EVO-HT49-C8-B-10W-30 | 10W | 15°/24°/36° | 3000K |
| EVO-HT49-C8-B-10W-40 | 10W | 15°/24°/36° | 4000K |
| EVO-HT49-C8-B-10W-50 | 10W | 15°/24°/36° | 5000K |

Remark: B= Driver in box..