

HT10-C3-BL2030 SERIES

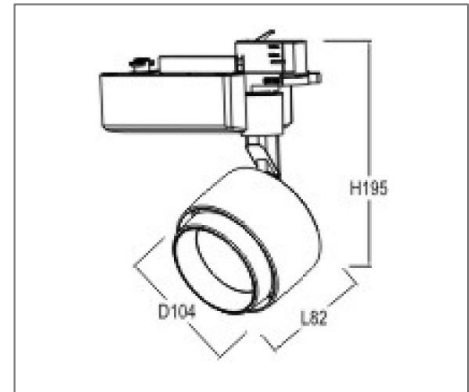
Application

Track light is designed to use for office buildings, shopping centers, convenience stores, modern trade stores, discount stores, hotels, restaurants, residences, recreation centers, museums, etc.



Specification

Input Voltage	220-240 V AC /120-240 V AC
Frequency	50/60Hz
Lumen	90-100 lm/W
CRI	> 80/90
Color Finish	White / Black
Dim Option	Optional
IP Rating	IP 20
Track	1/2/3 Phase



Ordering Data

Part No.	Power	Beam Angle	CCT
EVO-HT10-C3-BL-20W-27	20W	11°/15°/24°/30°	2700K
EVO-HT10-C3-BL-20W-30	20W	11°/15°/24°/30°	3000K
EVO-HT10-C3-BL-20W-40	20W	11°/15°/24°/30°	4000K
EVO-HT10-C3-BL-20W-50	20W	11°/15°/24°/30°	5000K
EVO-HT10-C3-BL-30W-27	30W	11°/15°/24°/30°	2700K
EVO-HT10-C3-BL-30W-30	30W	11°/15°/24°/30°	3000K
EVO-HT10-C3-BL-30W-40	30W	11°/15°/24°/30°	4000K
EVO-HT10-C3-BL-30W-50	30W	11°/15°/24°/30°	5000K

Remark: B= Driver in box.