

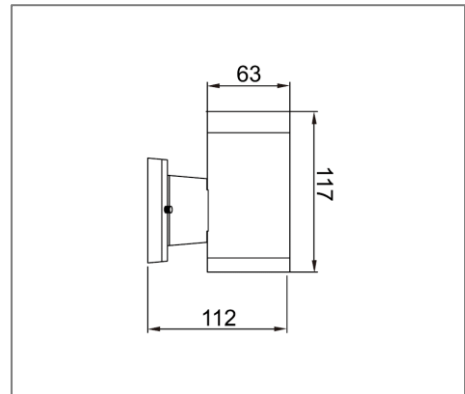
## WLL SERIES

### Application

Track Light is designed to use for outdoor wall & etc.

### Specification

<b>IP Rating</b>	IP54
<b>Colour</b>	White/Black
<b>Housing</b>	Powder coated Aluminium Alloy, Glass & Iron
<b>Bulb Type</b>	PAR16 (GU10)



### Ordering Data

Part No.	Length x Width x Height
EVO-WLL-47A-G10	63mm x 112mm x 117mm

Related Product : Applicable with digital catalogue only  
 (Please click the product photo to redirect towards the respective cut-sheet)



\* Product specification subject to change according to technology improvement.