

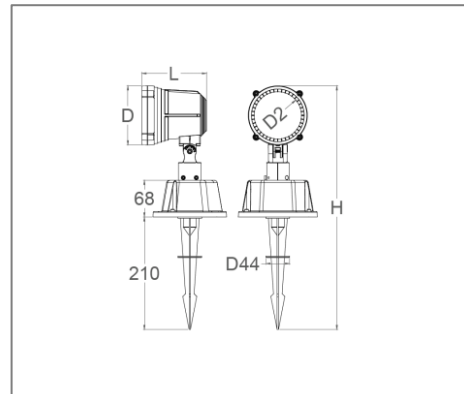
OSSL SERIES

Application

Lawn Spotlight is designed to use for outdoor, path, garden etc.

Specification

Input Voltage	200-240 V AC
Power Factor	0.9 Typical
System Efficiency	50%
Operating Temperature	0 to 35 Degrees Celsius
Lamp Type	COB Module
Rendering Index	Min 80
Housing	Die Cast Aluminium Alloy Electrostatically Polyester Powder Coat Anodized Aluminium Reflector Tempered Glass Clear / Dot Frosted Diffuser Lamp Holder Diffuser (GU10) Polycarbonate Opal Diffuser
Colour	Matt Black / Matt White / Matt Silver
LED Operating Life	50,000 Hrs



Ordering Data

Part No.	Power	Beam Angle	Lamp Type	Dimension (mm)	IP Rating
EVO-OSSL-1356	25.9W	15° / 24° / 40°	PL-CN111-DC-COB	135 (D) x 80 (D2) x 178 (L) x 480 (H)	IP65
	37.6W	20° / 40° / 60°	PL-CN111-DC-COB		

* Product specification subject to change according to technology improvement.