

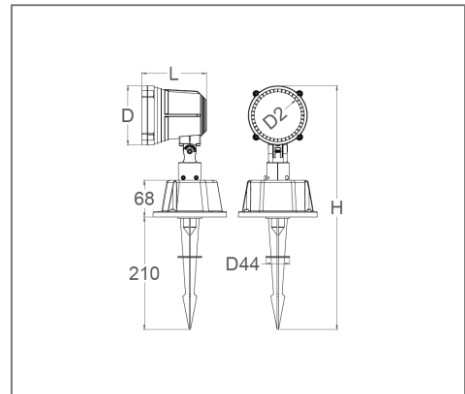
OSSL SERIES

Application

Lawn Spotlight is designed to use for outdoor, path, garden etc.

Specification

Input Voltage	200-240 V AC
Power Factor	0.9 Typical
System Efficiency	50%
Operating Temperature	0 to 35 Degrees Celsius
Lamp Type	COB Module
Rendering Index	Min 80
Housing	Die Cast Aluminium Alloy Electrostatically Polyester Powder Coat Anodized Aluminium Reflector Tempered Glass Clear / Dot Frosted Diffuser Lamp Holder Diffuser (GU10) Polycarbonate Opal Diffuser
Colour	Matt Black / Matt White / Matt Silver
LED Operating Life	50,000 Hrs



Ordering Data

Part No.	Power	Beam Angle	Lamp Type	Dimension (mm)	IP Rating
EVO-OSSL-1106	12.9W	24° / 40°	PL-CN50-DC-COB	110 (D) x 88 (D2) x 158 (L) x 455 (H)	IP65

* Product specification subject to change according to technology improvement.