

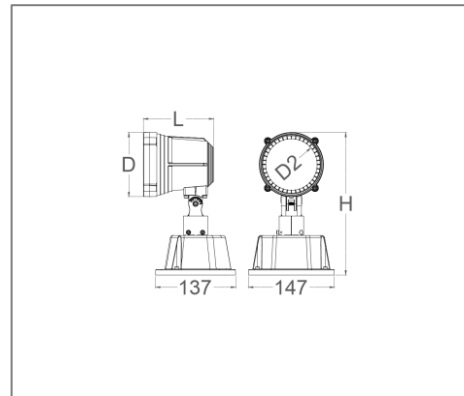
## OSSL SERIES

### Application

Lawn Spotlight is designed to use for outdoor, path, garden etc.

### Specification

<b>Input Voltage</b>	200-240 V AC
<b>Power Factor</b>	0.9 Typical
<b>System Efficiency</b>	50%
<b>Operating Temperature</b>	0 to 35 Degrees Celsius
<b>Lamp Type</b>	COB Module
<b>Rendering Index</b>	Min 80
<b>Housing</b>	Die Cast Aluminium Alloy Electrostatically Polyester Powder Coat Anodized Aluminium Reflector Tempered Glass Clear / Dot Frosted Diffuser Lamp Holder Diffuser (GU10) Polycarbonate Opal Diffuser
<b>Colour</b>	Matt Black / Matt White / Matt Silver
<b>LED Operating Life</b>	50,000 Hrs



### Ordering Data

Part No.	Power	Beam Angle	Lamp Type	Dimension (mm)	IP Rating
EVO-OSSL-1104	12.9W	24° / 40°	PL-CN50-DC-COB	110 (D) x 88 (D2) x 158 (L) x 388 (H)	IP65

\* Product specification subject to change according to technology improvement.