

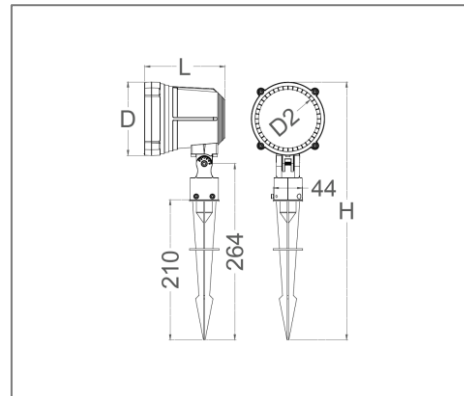
## OSSL SERIES

### Application

Lawn Spotlight is designed to use for outdoor, path, garden etc.

### Specification

|                              |  |
|------------------------------|--|
| <b>Input Voltage</b>         | 200-240 V AC   |
| <b>Power Factor</b>          | 0.9 Typical  |
| <b>System Efficiency</b>     | 50%  |
| <b>Operating Temperature</b> | 0 to 35 Degrees Celsius  |
| <b>Lamp Type</b>             | PAR16  |
| <b>Rendering Index</b>       | Min 80   |
| <b>Housing</b>               | Die Cast Aluminium Alloy<br>Electrostatically Polyester Powder Coat<br>Anodized Aluminium Reflector<br>Tempered Glass Clear / Dot Frosted Diffuser<br>Lamp Holder Diffuser (GU10)<br>Polycarbonate Opal Diffuser |
| <b>Colour</b>                | Matt Black / Matt White / Matt Silver  |
| <b>LED Operating Life</b>    | 30,000 Hrs   |



### Ordering Data

| Part No.      | Power | Beam Angle | Lamp Type | Dimension (mm)                        | IP Rating |
|---------------|-------|------------|-----------|---------------------------------------|-----------|
| EVO-OSSL-1102 | 3-7W  | 24° / 36°  | PAR16     | 110 (D) x 88 (D2) x 158 (L) x 388 (H) | IP65      |

\* Product specification subject to change according to technology improvement.