

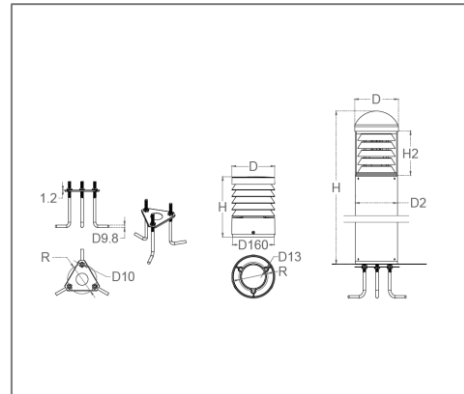
## BLRO SERIES

### Application

Bollard Light is designed to use for outdoor, path, etc.

### Specification

<b>Input Voltage</b>	200-240 V AC
<b>Rendering Index</b>	> 80
<b>Operating Temperature</b>	0 to 35 Degrees Celsius
<b>LED Operating Life</b>	15,000 Hrs
<b>Colour Correlated Temperature</b>	2700K, 6500K
<b>Available Colour</b>	Matt Black & Matt Silver
<b>Dimmable</b>	Non Dimmable
<b>Applications</b>	Outdoor/Path
<b>Housing</b>	Body is Extruded From Aluminum Head is Die Cast From Aluminum Alloy



### Ordering Data

Part No.	Head Shape	Base Type	Dimension			
			D x H	D2	H2	R
EVO-BLRO-F-4	Round	E27	163.5 x 500	-	-	112

\* Product specification subject to change according to technology improvement.