

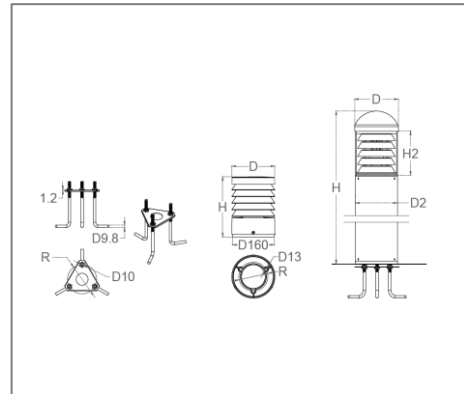
BLRA SERIES

Application

Bollard Light is designed to use for outdoor, path, etc.

Specification

Input Voltage	200-240 V AC
Rendering Index	> 80
Operating Temperature	0 to 35 Degrees Celsius
LED Operating Life	15,000 Hrs
Colour Correlated Temperature	2700K, 6500K
Available Colour	Matt Black & Matt Silver
Dimmable	Non Dimmable
Applications	Outdoor/Path
Housing	Body is Extruded From Aluminum Head is Die Cast From Aluminum Alloy



Ordering Data

Part No.	Head Shape	Base Type	Dimension			
			D x H	D2	H2	R
EVO-BLRA-R-1	Round	E27	120 x 850	120	-	80

* Product specification subject to change according to technology improvement.