

## SL SERIES

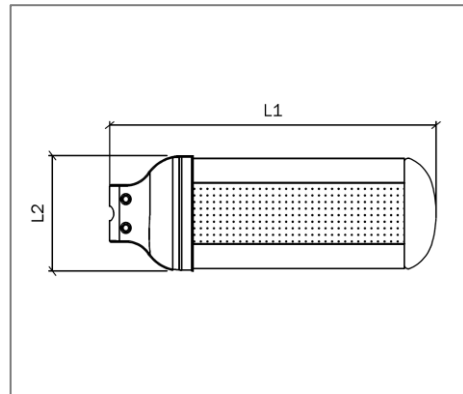
### Application

LED Street Light is designed to use for High Ways, Car Parks, Residential Areas, Path Ways etc.

### Specification

<b>Input Voltage</b>	200-240 V AC
<b>Power Factor</b>	0.9 Typical
<b>System Efficiency</b>	89%
<b>Rendering Index</b>	Min 70
<b>Operating Temperature</b>	-20 to 45 Degrees Celsius
<b>LED Operating Life</b>	50,000 Hrs
<b>Dimmable</b>	No

### Ordering Data



Part No.	Power	Lumens	CCT (K)	Dimension
EVO-SL-75-G2	72W	8300lm	3000K 4000K	554(L1) x 320(L2) x 130(H)
EVO-SL-110-G2	108W	12450lm		588(L1) x 320(L2) x 130(H)
EVO-SL-145-G2	142W	16600lm		691(L1) x 320(L2) x 130(H)
EVO-SL-180-G2	180W	20750lm		744(L1) x 320(L2) x 130(H)
EVO-SL-220-G2	216W	24900lm		822(L1) x 320(L2) x 130(H)

\* Product specification subject to change according to technology improvement.