

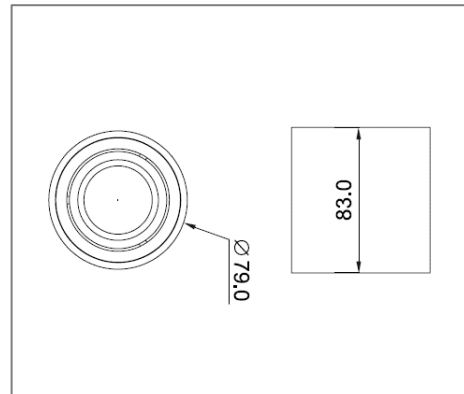
SPLF SERIES

Application

Surface Spot Light is designed to use for supermarkets, house, shopping malls, hotel & etc.

Specification

IP Rating	IP20
Colour	White/Black
Housing	Powder coated Aluminium Alloy & Iron



Ordering Data

Part No.	Diameter x Height
EVO-SPLF-51A-G10	79mm x 83mm

Related Product : Applicable with digital catalogue only
 (Please click the product photo to redirect towards the respective cut-sheet)



* Product specification subject to change according to technology improvement.