

LD-1015

Application

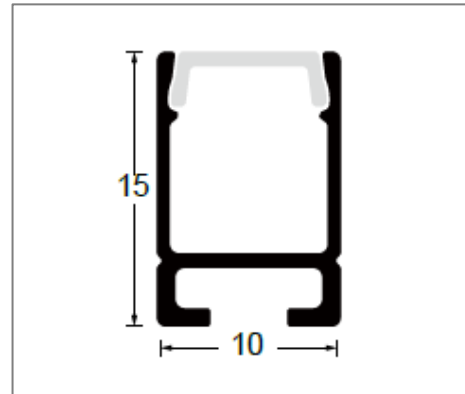
LED Strip Light is designed to use for ceiling cove lighting, furniture lighting, indirect lighting and etc.



Specification

Mounting Method Surface Mount

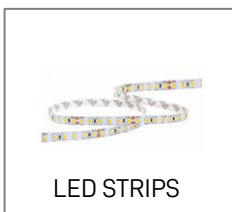
Accessories



Ordering Data

Part No.	LED Quantity (LEDs/M)	LED Strip Width (mm)	Wattage
EVO-LD-1015	> 182	< 8mm	< 13W/M

Related Product : Applicable with digital catalogue only
 (Please click the product photo to redirect towards the respective cut-sheet)



* Product specification subject to change according to technology improvement.