

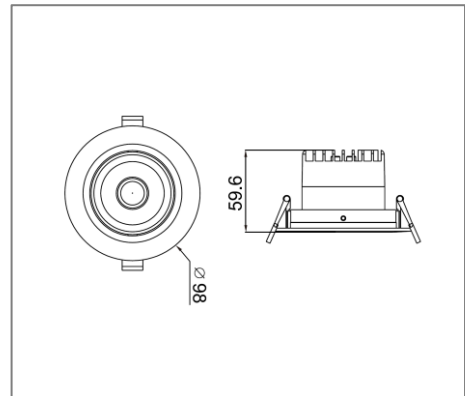
## SPLR SERIES

### Application

Recessed Spot Light is designed to use for supermarkets, house, shopping malls, hotel & etc.

### Specification

<b>Input Voltage</b>	200-240 V AC
<b>IP Rating</b>	IP30
<b>Rendering Index</b>	> 80
<b>Beam Angle</b>	15° , 25° , 38°
<b>Colour Correlated Temperature</b>	3000K, 4000K, 5700K
<b>Colour</b>	White/Black
<b>Housing</b>	Powder coated Aluminium Alloy, PC, & Iron



### Ordering Data

Part No.	Power	Diameter x Height	Cut Hole Size
EVO-SPLR-6-A	6W	98mm x 59.6mm	90mm