

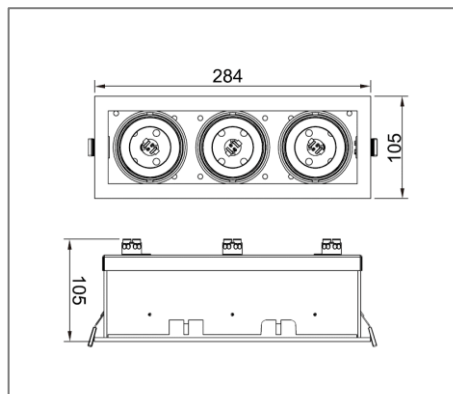
SPLT SERIES

Application

Recessed Spot Light is designed to use for supermarkets, house, shopping malls, hotel & etc.

Specification

IP Rating	IP20
Colour	White/Black
Housing	Powder coated Aluminium Alloy & Iron



Ordering Data

Part No.	Length x Width x Height	Cut Hole Size
EVO-SPLT-3GA-M16	284mm x 105mm x 105mm	278mm x 96mm

Related Product : Applicable with digital catalogue only
(Please click the product photo to redirect towards the respective cut-sheet)

