

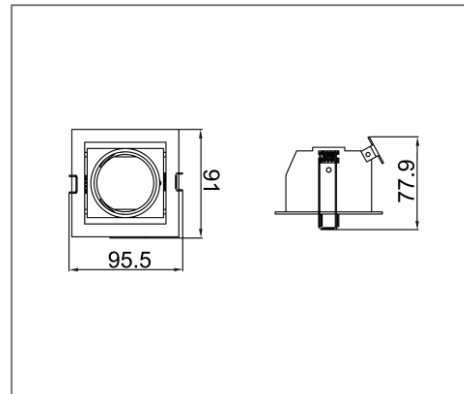
## SPLL SERIES

### Application

Recessed Spot Light is designed to use for supermarkets, house, shopping malls, hotel & etc.

### Specification

<b>IP Rating</b>	IP20
<b>Colour</b>	White/Black
<b>Housing</b>	Powder coated Aluminium Alloy, & Iron



### Ordering Data

Part No.	Length x Width x Height	Cut Hole Size
EVO-SPLL-E-M16	95.5mm x 91mm x 77.9mm	80mm x 80mm

Related Product : Applicable with digital catalogue only  
 (Please click the product photo to redirect towards the respective cut-sheet)



\* Product specification subject to change according to technology improvement.