

RING-G-05 SERIES

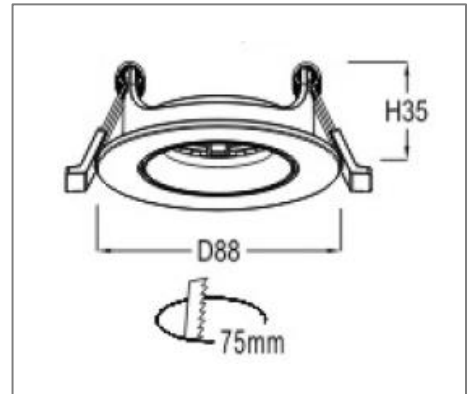
Application

Recessed ceiling wall washer is designed to use for office buildings, shopping centers, convenience stores, modern trade stores, discount stores, hotels, restaurants, residences, recreation centers, museums, etc.

Ordering Data

Part No.	Dimension (mm)
EVO-RING-G-05	88 (D), 35(H)

Related Product : Applicable with digital catalogue only  
 (Please click the product photo to redirect towards the respective cut-sheet)



\* Product specification subject to change according to technology improvement.