

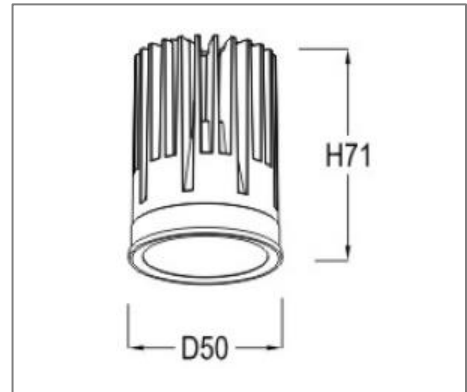
HC03-ML2 SERIES

Application

Recessed ceiling wall washer is designed to use for office buildings, shopping centers, convenience stores, modern trade stores, discount stores, hotels, restaurants, residences, recreation centers, museums, etc.

Specification

Input Voltage	200-240 V AC /100-240 V AC
Frequency	50/60Hz
Lumen	95-105 lm/W
CRI	> 80/90/95
Color Finish	Ash Silver / Black
Dim Option	Optional
IP Rating	IP 20 / IP 44



Ordering Data

Part No.	Power	Beam Angle	CCT
EVO-HC03-ML2-R-7W-27	7W	15°/24°/36°/60°	2700K
EVO-HC03-ML2-R-7W-30	7W	15°/24°/36°/60°	3000K
EVO-HC03-ML2-R-7W-40	7W	15°/24°/36°/60°	4000K
EVO-HC03-ML2-R-7W-50	7W	15°/24°/36°/60°	5000K
EVO-HC03-ML2-R-10W-27	10W	15°/24°/36°/60°	2700K
EVO-HC03-ML2-R-10W-30	10W	15°/24°/36°/60°	3000K
EVO-HC03-ML2-R-10W-40	10W	15°/24°/36°/60°	4000K
EVO-HC03-ML2-R-10W-50	10W	15°/24°/36°/60°	5000K

Related Product : Applicable with digital catalogue only
 (Please click the product photo to redirect towards the respective cut-sheet)



* Product specification subject to change according to technology improvement.