

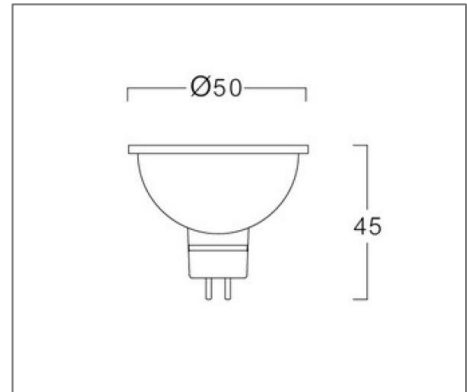
## GU5.3 SERIES

### Application

LED Spotlight GU5.3 is designed to use for supermarkets, house, shopping malls, hotels & etc.

### Specification

<b>Input Voltage</b>	12 AC/DC
<b>CRI</b>	> 80, ±85
<b>Base</b>	GU5.3
<b>Operating Temperature</b>	-20 ~ +45°C
<b>Storage Temperature</b>	-30 ~ +65°C
<b>Lifetime</b>	> 50,000 hours
<b>Housing</b>	Therpoxy (Thermal Plastic)



### Ordering Data

Part No.	Power (W)	Lumens (lm)	CCT	Beam Angle
EVO-GU53-6W-30-25D	6.5	480	3000K	24°
EVO-GU53-6W-40-25D	6.5	520	4000K	24°
EVO-GU53-6W-30-40D	6.5	480	3000K	40°
EVO-GU53-6W-40-40D	6.5	520	4000K	40°

Related Product : Applicable with digital catalogue only  
 (Please click the product photo to redirect towards the respective cut-sheet)



\* Product specification subject to change according to technology improvement.