

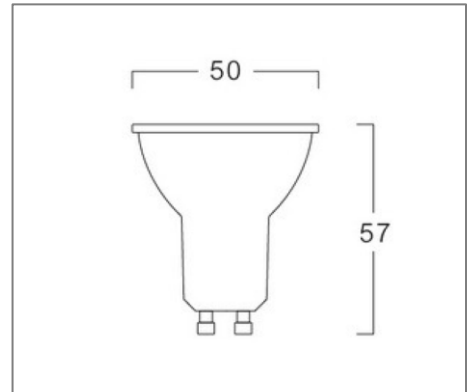
GU10 SERIES

Application

LED Spotlight GU10 is designed to use for supermarkets, house, shopping malls, hotels & etc.

Specification

Input Voltage	100V-240V AC
CRI	> 80, +V5
Base	GU5.3
Operating Temperature	-20 ~ +45°C
Storage Temperature	-30 ~ +65°C
Lifetime	> 50,000 hours
Housing	Therpoxy (Thermal Plastic)
Dimmable	Optional



Ordering Data

Part No.	Power (W)	Lumens (lm)	CCT	Beam Angle	Dimmable
EVO -GU10-5W-30-25D	5	480	3000K	25°	No
EVO-GU10-5W-40-25D	5	530	4000K	25°	No
EVO-GU10-5W-60-25D	5	550	6000K	25°	No
EVO -GU10-5W-30-40D	5	480	3000K	40°	No
EVO-GU10-5W-40-40D	5	530	4000K	40°	No
EVO-GU10-5W-60-40D	5	550	6000K	40°	No
EVO -GU10-7W-30-25D	7	650	3000K	25°	No
EVO-GU10-7W-40-25D	7	680	4000K	25°	No
EVO-GU10-7W-60-25D	7	700	6000K	25°	No
EVO -GU10-7W-30-40D	7	650	3000K	40°	No
EVO-GU10-7W-40-40D	7	680	4000K	40°	No
EVO-GU10-7W-60-40D	7	700	6000K	40°	No
EVO -GU10-7W-30-25D-DIM	7	650	3000K	25°	YES
EVO-GU10-7W-40-25D-DIM	7	680	4000K	25°	YES
EVO-GU10-7W-60-25D-DIM	7	700	6000K	25°	YES

Related Product : Applicable with digital catalogue only
(Please click the product photo to redirect towards the respective cut-sheet)



* Product specification subject to change according to technology improvement.