

## COC-G35 SERIES

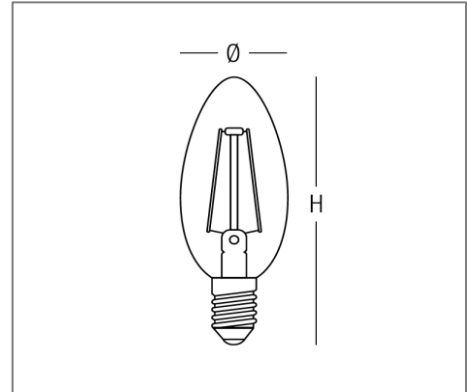
## Application

Filament Light Bulb G35 is designed to use for decorative, chandelier, retail, hotels, homes & etc.



## Specification

<b>Input Voltage</b>	200-240 V AC
<b>Filament</b>	4 Pcs
<b>Base</b>	E14
<b>CRI</b>	> 90
<b>Storage Temperature</b>	-30 ~ +65°C
<b>Lifetime</b>	> 20,000 hours
<b>Incandescent Equivalent</b>	40 W
<b>Size</b>	Ø35 x 99H mm



## Ordering Data

Part No.	Power (W)	Lumen (lm)	CCT	Light Distribution
EVO-COC-E14G35FLBB-27001W	1	150	2700K	360°
EVO-COC-E14G35FLBB-27002W	2	300	2700K	360°
EVO-COC-E14G35FLBB-27004W	4	470	2700K	360°