

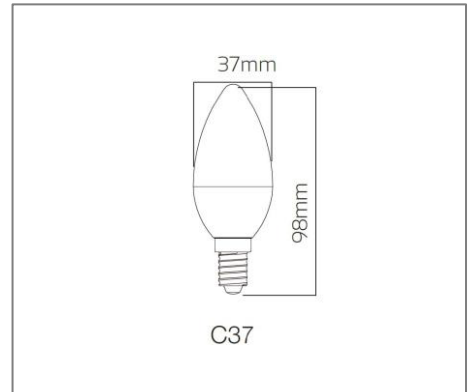
## CLE SERIES

### Application

LED Light Bulb C37 is designed to use for chandeliers, light fittings, decorative lights & etc.

### Specification

<b>Input Voltage</b>	200-240 V AC
<b>Frequency</b>	50/60Hz
<b>Base</b>	E14
<b>Rendering Index</b>	Ra > 80
<b>Lifetime</b>	> 25,000 hours
<b>Beam Angle</b>	160°
<b>PC Cover</b>	Milky



### Ordering Data

Part No.	Power (W)	Replace (W)	Lumen (lm)	CCT
EVO-KE-5WCLE14-30	5	45	550	3000K WW