

WPFT8 SERIES

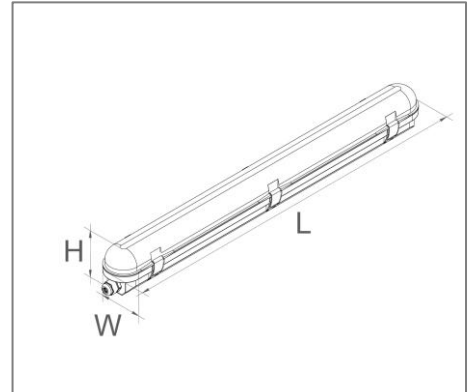
Application

T8 tube weatherproof fitting is designed to use for outdoor of buildings, carparks, shop corridors, residences, recreation centers, etc.



Specification

Input Voltage	200-240 V AC
Power Factor	0.9
IP Rating	IP65
Rendering Index	> 70
LED Operating Temperature	0 to 35 Degree Celcius
LED Operating Life	30, 000 Hrs
CCT (K)	3000K, 4000K, 6500K
Dimmable	Non Dimmable
Mounting Method	Surface Ceiling/Wall/Suspension
Housing	Polycarbonate Resin in Grey Base Polycarbonate Resin in Linear Diffuser Sealed with Silicone Gasket



Ordering Data

Part No.	No. of T8 LED Tube	Dimension (mm)
EVO-WPFT8-1X-2FT	1	660(L) X 65(W) X 80(H)
EVO-WPFT8-1X-4FT	1	1260(L) X 65(W) X 80(H)
EVO-WPFT8-2X-2FT	2	660(L) X 105(W) X 80(H)
EVO-WPFT8-2X-4FT	2	1260(L) X 105(W) X 80(H)

Related Product : Applicable with digital catalogue only
(Please click the product photo to redirect towards the respective cut-sheet)

