

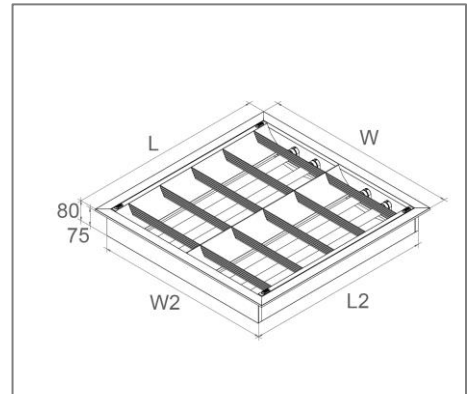
4MLFT8-RP SERIES

Application

T8 LED louver fitting (RECESSED PLASTER CEILING) is designed to use for offices, libraries, convenience stores, discount stores, classroom etc.

Specification

Input Voltage	200-240 V AC
Power Factor	0.9
IP Rating	IP20
Rendering Index	> 80
LED Operating Temperature	0 to 35 Degree Celsius
LED Operating Life	50, 000 Hrs
CCT (K)	3000K, 4000K, 6500K
Dimmable	Non Dimmable
Mounting Method	Recessed Plaster Ceiling Mounted
Housing	Mild Steel Fitting Electrostatically Polyester Powder Coated
Fitting Thickness	0.5mm



Part No.	No. of T8 LED Tube	Dimension (mm)	Cut Out Size (mm)
EVO-MLFT8-RP-2414	2	1255(L) x 328(W) x 1224(L2) x 270(W2)	1235 X 280
EVO-MLFT8-RP-2424	2	1255(L) x 638(W) x 1224(L2) x 580(W2)	1235 X 590
EVO-MLFT8-RP-3424	3	1255(L) x 638(W) x 1224(L2) x 580(W2)	1235 X 590
EVO-MLFT8-RP-4424	4	1255(L) x 638(W) x 1224(L2) x 580(W2)	1235 X 590

Related Product : Applicable with digital catalogue only
(Please click the product photo to redirect towards the respective cut-sheet)



* Product specification subject to change according to technology improvement.