

## 2VIPVT8-R / R-MM SERIES

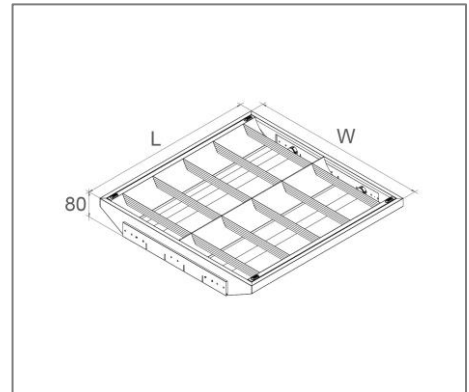
### Application

T8 LED louver fitting (RECESSED T-BAR CEILING) is designed to use for offices, libraries, convenience stores, discount stores, classroom etc.



### Specification

<b>Input Voltage</b>	200-240 V AC
<b>Power Factor</b>	0.9
<b>IP Rating</b>	IP20
<b>Rendering Index</b>	> 80
<b>LED Operating Temperature</b>	0 to 35 Degree Celcius
<b>LED Operating Life</b>	50, 000 Hrs
<b>CCT (K)</b>	3000K, 4000K, 6500K
<b>Dimmable</b>	Non Dimmable
<b>Mounting Method</b>	Recessed T-Bar Ceiling Mounted
<b>Housing</b>	Mild Steel Fitting Electrostatically Polyester Powder Coated
<b>Fitting Thickness</b>	0.5mm



### Ordering Data

Part No.	No. of T8 LED Tube	Dimension (mm)
EVO-VIPVT8-R-2222	2	604 (L) X 604 (W)
EVO-VIPVT8-R-3222	3	604 (L) X 604 (W)
EVO-VIPVT8-R-MM-2222	2	595 (L) X 595 (W)
EVO-VIPVT8-R-MM-3222	3	595 (L) X 595 (W)

Remark: R= Imperial, R-MM= Metric.

Related Product : Applicable with digital catalogue only  
(Please click the product photo to redirect towards the respective cut-sheet)



\* Product specification subject to change according to technology improvement.