

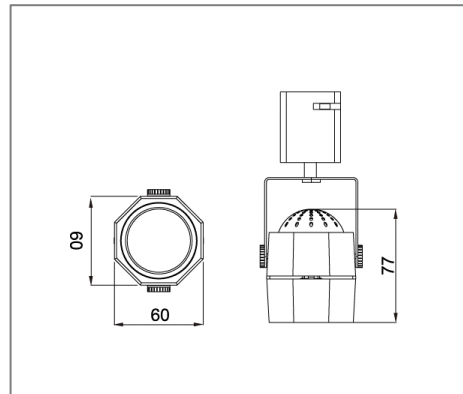
TRS SERIES (FITTING)

Application

Track Light is designed to use for supermarkets, house, shopping malls, hotel & etc.

Specification

<b>IP Rating</b>	IP20
<b>Colour</b>	White/Black
<b>Housing</b>	Powder coated Aluminium Alloy & Iron
<b>Bulb Type</b>	GU10, MR16



Ordering Data

Part No.	Length x Width x Height
EVO-TRS-80C-G10	60mm x 60mm 77mm

Related Product : Applicable with digital catalogue only  
 (Please click the product photo to redirect towards the respective cut-sheet)



\* Product specification subject to change according to technology improvement.