

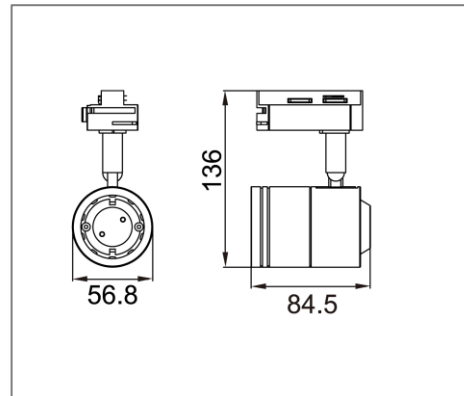
TRL SERIES (FITTING)

Application

Track Light is designed to use for supermarkets, house, shopping malls, hotel & etc.

Specification

IP Rating	IP20
Colour	White/Black
Housing	Powder coated Aluminium Alloy & Iron
Bulb Type	GU10



Ordering Data

Part No.	Diameter x Width x Height
EVO-TRL-68A-G10	56.8mm x 84.5mm 136mm

Related Product : Applicable with digital catalogue only
 (Please click the product photo to redirect towards the respective cut-sheet)



* Product specification subject to change according to technology improvement.