

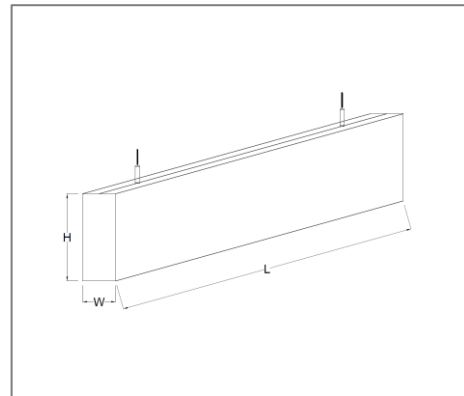
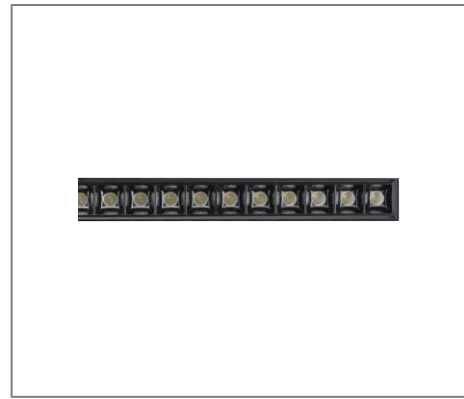
CXLN-S SERIES

Application

Suspended Linear Light is designed to use for office buildings, shopping centers, convenience stores, modern trade stores, discount stores, hotels, restaurants, residences, recreation centers, museums, etc.

Specification

Input Voltage	200-240 V AC
Power Factor	0.9 Typical
System Efficiency	89%
Rendering Index	Min 80
Operating Temperature	-20 to 45 Degrees Celsius
LED Chip	LED SMD
Housing	Aluminium Alloy Body Anti-glare louver
LED Operating Life	50,000 Hrs
Beam Angle	34°
IP Rating	IP20



Ordering Data

Part No.	Power	Lumens	CCT (K)	DIMENSION
EVO-CX26100-S	36W	2750lm	4000K	1181(L) x 26(W) x 100(H)
EVO-CX38100-S	37W	3700lm		1118(L) x 38(W) x 100(H)