

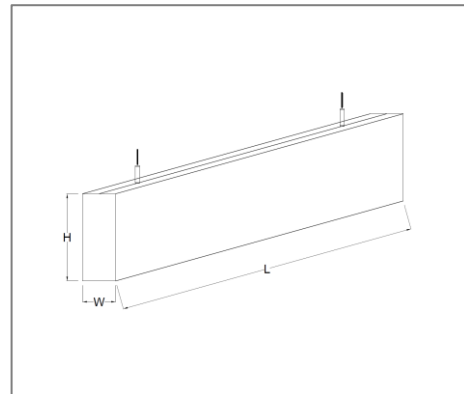
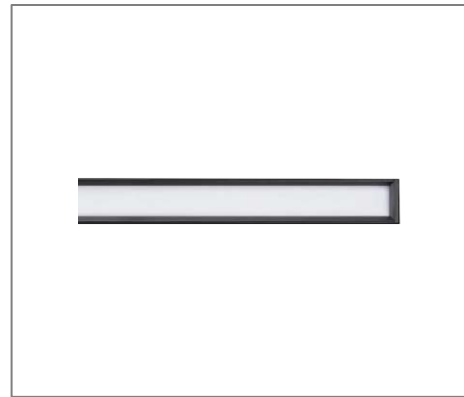
## CXLN-B SERIES

### Application

Suspended Linear Light is designed to use for office buildings, shopping centers, convenience stores, modern trade stores, discount stores, hotels, restaurants, residences, recreation centers, museums, etc.

### Specification

<b>Input Voltage</b>	200-240 V AC
<b>Power Factor</b>	0.9 Typical
<b>System Efficiency</b>	89%
<b>Rendering Index</b>	Min 80
<b>Operating Temperature</b>	-20 to 45 Degrees Celsius
<b>LED Chip</b>	LED SMD
<b>Housing</b>	Aluminium Alloy Body Opal Diffuser
<b>LED Operating Life</b>	50,000 Hrs
<b>Beam Angle</b>	100°
<b>IP Rating</b>	IP20



### Ordering Data

Part No.	Power	Lumens	CCT (K)	DIMENSION
EVO-CX26100-B	27W	1050lm	4000K	1200(L) x 26(W) x 100(H)
EVO-CX38100-B	27W	1500lm		1200(L) x 38(W) x 100(H)
EVO-CX50100-B	36W	2300lm		1200(L) x 50(W) x 100(H)

\* Product specification subject to change according to technology improvement.