

OSB4 SERIES

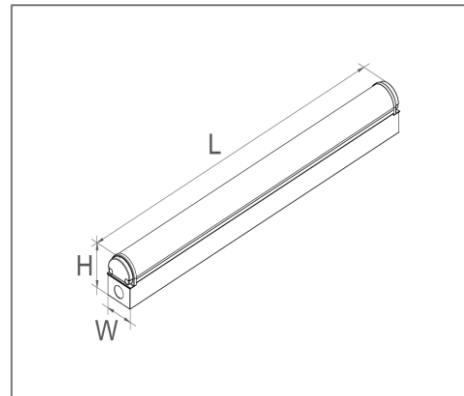
Application

LED Linear Light is designed to use for office buildings, shopping centers, convenience stores, modern trade stores, discount stores, hotels, restaurants, residences, recreation centers, museums, etc.

Specification

Input Voltage	200-240 V AC
Power Factor	0.9 Typical
System Efficiency	89%
Rendering Index	Min 80
Operating Temperature	-20 to 45 Degrees Celsius
LED Operating Life	50,000 Hrs
Beam Angle	130°

Ordering Data



Part No.	Power	Lumens	CCT (K)	DIMENSION
EVO-OSB4LL-18-3000	18W	2000lm	3000K	600(L) x 53(W) x 71(H)
EVO-OSB4LL-18-4000	18W	2100lm	4000K	600(L) x 53(W) x 71(H)
EVO-OSB4LL-18-6500	18W	2200lm	6500K	600(L) x 53(W) x 71(H)
EVO-OSB4LL-32-3000	31W	4200lm	3000K	1160(L) x 53(W) x 71(H)
EVO-OSB4LL-32-4000	31W	4300lm	4000K	1160(L) x 53(W) x 71(H)
EVO-OSB4LL-32-6500	31W	4400lm	6500K	1160(L) x 53(W) x 71(H)