

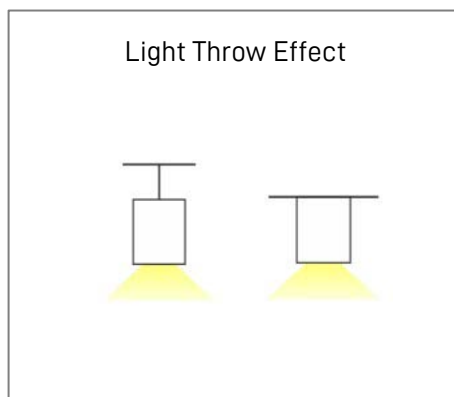
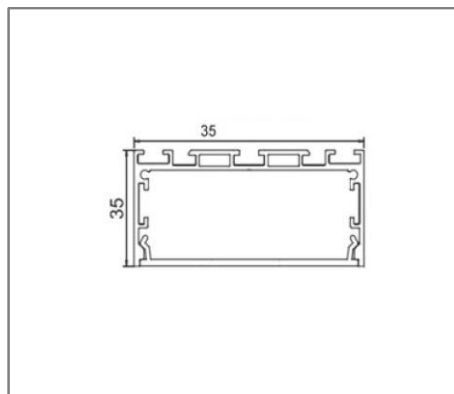
E-LS3535 SERIES

Application

Suspended/Surface Linear Light is designed to use for office buildings, shopping centers, convenience stores, modern trade stores, discount stores, hotels, restaurants, residences, recreation centers, museums, etc.

Specification

| | |
|--------------------------------------|----------------------------|
| Input Voltage | 200-240 V AC |
| IP Rating | IP20 |
| Rendering Index | > 90 |
| Lumen Per Watt | 130lm/w |
| LED Operating Life | >50, 000 Hrs |
| Colour Correlated Temperature | 3000K, 4000K, 6500K |
| Available Colour | White/Black/Grey |
| Beam Angle | 120° |
| Dimmable | Optional |
| Mounting Method | Suspended, Surface Mounted |



Ordering Data

| Part No. | Power | Length (L x W x H) |
|------------------|-------|----------------------|
| EVO-E-LS3535-36W | 36W | 1206mm x 35mm x 35mm |
| EVO-E-LS3535-54W | 54W | 1806mm x 35mm x 35mm |
| EVO-E-LS3535-72W | 72W | 2406mm x 35mm x 35mm |