

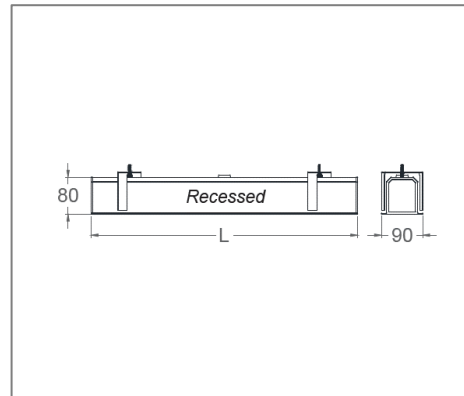
LFRP SERIES

Application

Recessed Linear Light is designed to use for office buildings, shopping centers, convenience stores, modern trade stores, discount stores, hotels, restaurants, residences, recreation centers, museums, etc.

Specification

Input Voltage	200-240 V AC
Power Factor	≥ 0.9
IP Rating	IP20
Rendering Index	> 80
Beam Angle	110°
Operating Temperature	0 to 35 Degrees Celsius
LED Operating Life	50,000 Hrs
Colour Correlated Temperature	3000K, 4000K, 6500K
Available Colour	Matt White/Matt Black
Dimmable	Non Dimmable
Mounting Method	Recessed Plaster Ceiling Mounted
Housing	Extruded Aluminium Housing with Die cast Aluminium End Cap



Ordering Data

Part No.	Power	Lumens	Ampere	Length (L x W x H)	Cut Out Size (RP Only)
EVO-LFRP-2T	17W	1100lm	0.08A	580mm x 90mm x 80mm	585 x 73
EVO-LFRP-4T	32W	2200lm	0.14A	1150mm x 90mm x 80mm	1155 x 73
EVO-LFRP-6T	48W	3300lm	0.21A	1710mm x 90mm x 80mm	1715 x 73
EVO-LFRP-8T	64W	4400lm	0.28A	2270mm x 90mm x 80mm	2275 x 73

* Product specification subject to change according to technology improvement.