

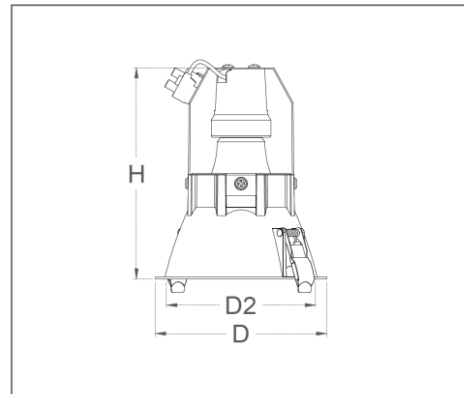
OS3 SERIES

Application

Recessed downlight is designed to use for office buildings, shopping centers, convenience stores, modern trade stores, discount stores, hotels, restaurants, residences, recreation centers, museums, etc.

Specification

Input Voltage	200-240 V AC
Power Factor	0.9 Typical
System Efficiency	89%
Rendering Index	Min 80
Housing	Die Cast Aluminium Rim Mild Steel Bracket Electrostatically Polyester Powder Coated Ceramic Lamp holder (E27) Nylon Connecting Devices Stainless Steel Spring Clips
LED Operating Life	15,000 Hrs
Dimmable	No



Ordering Data

Part No.	Power	Lamp Base	Dimension (mm)	Hole Cut (mm)
EVO-OS303	3-10W	E27	115 (D) x 100 (D2) x 130-150 (H)	D105
EVO-OS403	5-12W	E27	140 (D) x 125 (D2) x 150-160 (H)	D130

Related Product : Applicable with digital catalogue only
(Please click the product photo to redirect towards the respective cut-sheet)



* Product specification subject to change according to technology improvement.