

HD06-V1-D SERIES

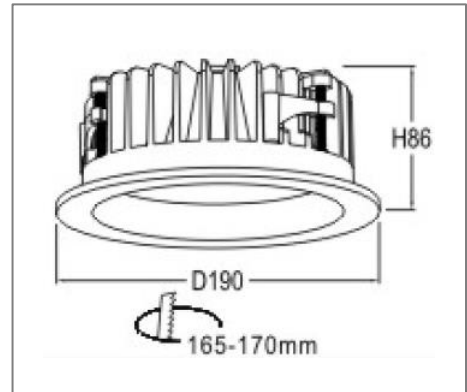
Application

Recessed downlight is designed to use for office buildings, shopping centers, convenience stores, modern trade stores, discount stores, hotels, restaurants, residences, recreation centers, museums, etc.



Specification

| | |
|----------------------|----------------------------|
| Input Voltage | 200-240 V AC /100-240 V AC |
| Frequency | 50/60Hz |
| Lumen | 85-105 lm/W |
| CRI | > 80/90 |
| Color Finish | White + Iron Grey |
| Dim Option | Optional |
| IP Rating | IP 20 |



Ordering Data

| Part No. | Power | Beam Angle | CCT |
|----------------------|-------|------------|-------|
| EVO-HD06-V1-D-15W-27 | 15W | 90° | 2700K |
| EVO-HD06-V1-D-15W-30 | 15W | 90° | 3000K |
| EVO-HD06-V1-D-15W-40 | 15W | 90° | 4000K |
| EVO-HD06-V1-D-15W-50 | 15W | 90° | 5000K |
| EVO-HD06-V1-D-15W-60 | 15W | 90° | 6000K |
| EVO-HD06-V1-D-20W-27 | 20W | 90° | 2700K |
| EVO-HD06-V1-D-20W-30 | 20W | 90° | 3000K |
| EVO-HD06-V1-D-20W-40 | 20W | 90° | 4000K |
| EVO-HD06-V1-D-20W-50 | 20W | 90° | 5000K |
| EVO-HD06-V1-D-20W-60 | 20W | 90° | 6000K |
| EVO-HD06-V1-D-25W-27 | 25W | 90° | 2700K |
| EVO-HD06-V1-D-25W-30 | 25W | 90° | 3000K |
| EVO-HD06-V1-D-25W-40 | 25W | 90° | 4000K |
| EVO-HD06-V1-D-25W-50 | 25W | 90° | 5000K |
| EVO-HD06-V1-D-25W-60 | 25W | 90° | 6000K |
| EVO-HD06-V1-D-30W-27 | 30W | 90° | 2700K |
| EVO-HD06-V1-D-30W-30 | 30W | 90° | 3000K |
| EVO-HD06-V1-D-30W-40 | 30W | 90° | 4000K |
| EVO-HD06-V1-D-30W-50 | 30W | 90° | 5000K |
| EVO-HD06-V1-D-30W-60 | 30W | 90° | 6000K |

* Product specification subject to change according to technology improvement.