

6RDL4 SERIES

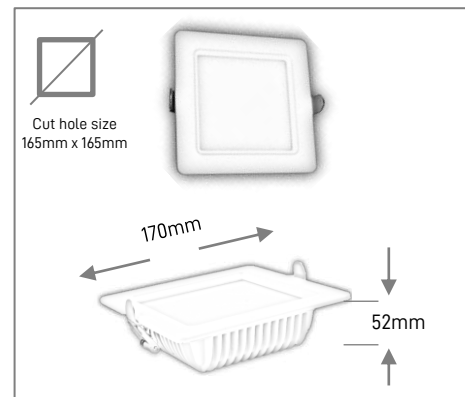
Application

Recessed downlight is designed to use for office buildings, shopping centers, convenience stores, modern trade stores, discount stores, hotels, restaurants, residences, recreation centers, museums, etc.

Specification

Input Voltage	200-240 V AC
Power Factor	0.9 Typical
System Efficiency	89%
Rendering Index	Min 80
Operating Temperature	-20 to 50 Degrees Celsius
LED Operating Life	50,000 Hrs
Dimmable	Optional

Ordering Data



Part No.	Power	Lumens	CCT (K)	Beam Angle	Shape
EVO-6RDL4-18W-3000K	18W	1620lm	3000K	120°	Square
EVO-6RDL4-18W-4000K	18W	1800lm	4000K	120°	Square
EVO-6RDL4-18W-6000K	18W	1800lm	6000K	120°	Square

* Product specification subject to change according to technology improvement.